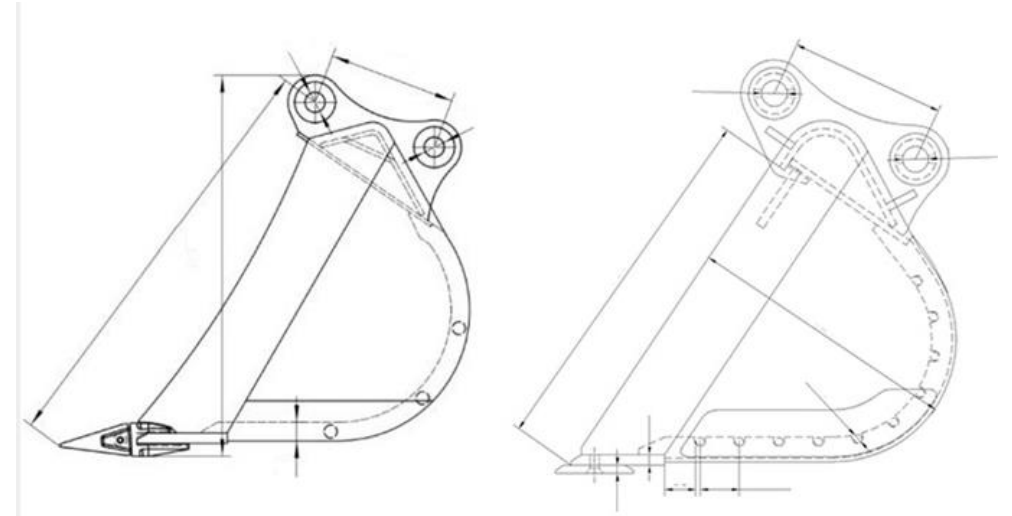


Excavator Bucket		
Type	Capabilit	Working Environment
Standard bucket	Plate of standard thickness and parts with high quality (teeth, adaptor, and side cutters)	For normal digging and loading activities of clay, sand or other soft materials with little or no debris or large rocks. Optimal shape guarantees excellent digging properties and large capacity.
Heavy-duty bucket	Thicker plate and higher quality parts(teeth, adaptor, and side cutters). With reinforced plates on the bottom and two sets of protective plates on both sides.	Stronger than the GP backhoe bucket, HD bucket is for heavier digging and spading in hard and slightly rocky soil. Suitable for - paving, tarmac, light breaking, demolition activities, etc. The robustness and resistance allow it to work against high strength materials.
Rock bucket	Thicker plate and parts with higher quality(teeth, adaptor, side cutters, teeth shroud, and flanges). With reinforced plates on the bottom, reinforced lines in front, and two sets of protective plates on both sides.	Suitable for comparatively heaviest working conditions in rocky types of soil and demolition work. Its optimal shape allows the ability to effortlessly pick up large rocks, and the most durable steel gives it the very robustness and extremely strong design It's wear-resistant, except when it's under an extreme construction condition.
HD Rock Bucket	Thickest plates and parts (rock teeth, adapter, double side protectors, lip protectors, side wear-resistant block, inside reinforced liners, heel shrouds, wear-resistant balls on both sides of the bucket, and wear resistant plates on the bottom).	With greater wear-resistance and strength than the buckets above, HD rock bucket suits the most extreme construction conditions and owns the longest service life of a few years. It's required in these works below (included but not limited to): Paving, tarmac, heavy breaking, and demolition activities

Attlar

Attachment Experts



Standard Bucket



Heavy Duty Bucket



Rock Bucket



Heavy Duty Rock Bucket

